



ALUMINIUM DROPSIDE WOOD PLATFORM

DMPT6

DC - L3

BODYWORK

- Aluminium side members, thickness 4 mm
- Aluminium frame, thickness 3 mm
- Multi-ply wood platform, thickness 15 mm, non-skid surface, phenolic resin treatment
- Platform screwed onto 60 mm U-shaped crossbeams, crossbeams spaced at 440 mm intervals
- Retractable lashing rings (TÜV 800 DaN certified DIN EN 12640) incorporated into the edge, steel, spaced at 880 mm
- Aluminium front face, height 450 mm, welded to the platform
- Aluminium rear pillars, removable, with straight fitting
- Anodised aluminium sideboards, thickness 25 mm, fold-down, removable, interchangeable, height 400 mm
- Locking handles incorporated into the ends of the sideboards
- Anodised aluminium rear door, height 400 mm
- Cab Protect with galvanized steel grille (4,5mm section), removable and without top cap
- Polypropylene fender flares with supports in unwrought aluminium
- Nickel Zinc treated bolts (5 times more resistant than standard galvanising)
- Folding footboard on rear sideboard
- Light grilles

OPTIONS

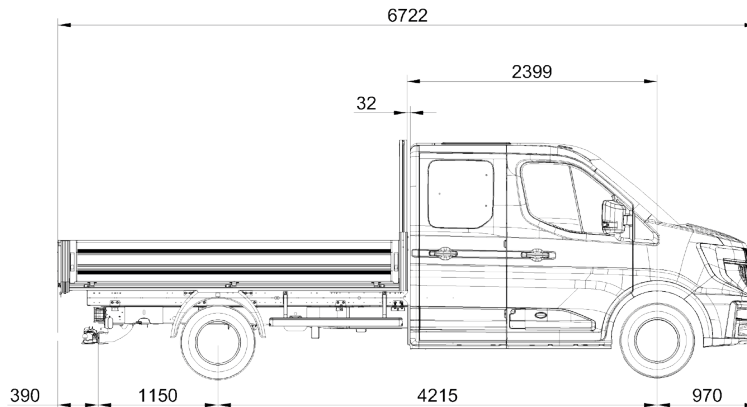
- Approved aluminium side protection, black powder paint (standard on N2 and EV, optional on N1) - **SMOLO**
- Under-platform storage (wheelbase compartment – L700 × D330 × H350 mm) 8 kg – Not compatible with E-Tech – **BSS00**
- Side lights as standard on vehicles >6m
- Underride guard (Triva) with mixed hook (35 kg) – **RPB00**

SEMI-PAINTED FINISH

- Anodised aluminium sideboards and rear door
- Shot blasting + 60 µm powder primer + 60 µm powder paint in JPM grey / RAL 7004 for the ladder rack
- Other elements in raw finish



PROFILES / VARIANTS



DC L3 FWD SRW - DC L3 RWD DRW

WEIGHT (in kg)

Weights are for information. Supplier thickness tolerances for steel or aluminium do not enable us to guarantee a weight within a tolerance of +/- 10%.

Tipper length (in mm)	Useful length (in mm)	Bodywork weight (in kg)
3350	3260	245 kg

AND GUARANTEE OF UP TO 5 YEARS FOR YOUR BODYWORK

2-YEAR GUARANTEE

On purchasing
your bodywork

3-YEAR GUARANTEE

3rd year free
after registering
your bodywork

5-YEAR GUARANTEE

JPM offers
a 2-year guarantee
extension