



THREE-WAY TIPPER ENTREPRISE 3200 IN ALUMINIUM Model 55 - A2Q



BODYWORK

- Tipper platform in high quality aluminium sheet : 5083 H16 thickness 3.5 mm
- Side members in extruded box-sections, thickness 3 mm, height 120 mm and outer frames in box-sections, thickness 3.5 mm, under the load surface
- Sideboards in extruded aluminium profile, height 400 mm (385 mm interior), usable interior height 388.5 mm, double wall top and bottom, thickness 2.8 mm, single wall, thickness 3.5 mm in the centre, fold-down, removable, interchangeable (right/left), folding step and passenger-side access handle
- Locking handle incorporated into the thickness of the sideboards
- Front face, usable interior height 450 mm, double wall top and bottom, thickness 2.6 mm, single wall, thickness 3.5 mm in the centre
- Cab Protect with aluminium grille diameter 5 mm with frame in extruded profiles, removable and without top cap and including a worktools holder
- Aluminium Easydoor rear door, height 450 mm, double wall top and bottom, thickness 2.8 mm, single wall, thickness 3.5 mm in the centre, automatic opening by cam of 15° (doorway 520 mm) and manual downward opening
- Rubber opening stops on sideboards and rear door
- Rear pillars in galvanised steel, thickness 3 mm, removable, with fixing bolt and conical fitting
- Polypropylene fender flares with supports in unwrought aluminium and mud flaps
- Approved aluminium side protection, black powder paint
- Nickel Zinc treated bolts (5 times more resistant than standard galvanising)
- Tipping on aluminium spherical bearings and forks, contact on elastomer
- Locking pins in Nickel Zinc treated steel with code (preventing any false manoeuvre)
- Outer frame adapted to lashing
- Short dumping overhang: 340 mm
- Lashing rings integrated into outer frame, TÜV-certified to DIN EN 12640, 800 daN
- Plastic protections on sideboards, rear door and ladder rack
- TRIVA Entreprise : Underlay bar + ball hook coupling + raised/retracted lights + light grilles



THREE-WAY TIPPER ENTREPRISE 3200 IN ALUMINIUM

Model 55

SUBFRAME

- Aluminium profile tipper, thickness 4.5 to 12 mm
- Tipping by COMPASS CYLINDER (no overhang under the subframe)
- Rear tipping angle of 48° and laterally 45°
- Electrically driven pump unit, 12 volts
- 3-litre tank
- Hydraulic pressure 320 bars
- Wired remote control in cab

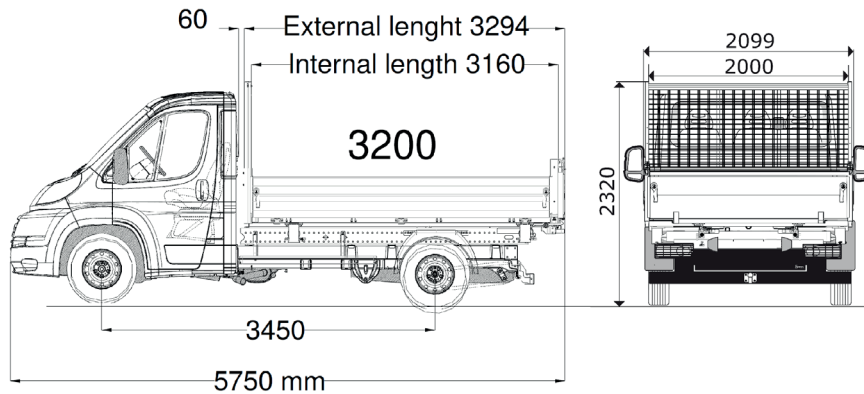
SAFETY

- Safety solenoid valve on cylinder
- Circuit breaker
- Safety stand
- Buzzer
- Double safety device on the sideboard handles
- Double safety device on the upper door hinges

SEMI-PAINTED FINISH

- Shot-blasted + 60 µm powder primer + 60 µm powder paint in JPM grey / RAL 7004

PROFILE



Weight of complete equipment : **510 kg***

**Weights are for information. Supplier thickness tolerances for steel or aluminium do not enable us to guarantee a weight within a tolerance of +/- 10%.*

AND GUARANTEE OF UP TO 5 YEARS FOR YOUR BODYWORK

2-YEAR
GUARANTEE

On purchasing
your bodywork

3-YEAR
GUARANTEE

3rd year free
after registering
your bodywork

5-YEAR
GUARANTEE

JPM offers
a 2-year guarantee
extension



www.jpm-group.com/uk/